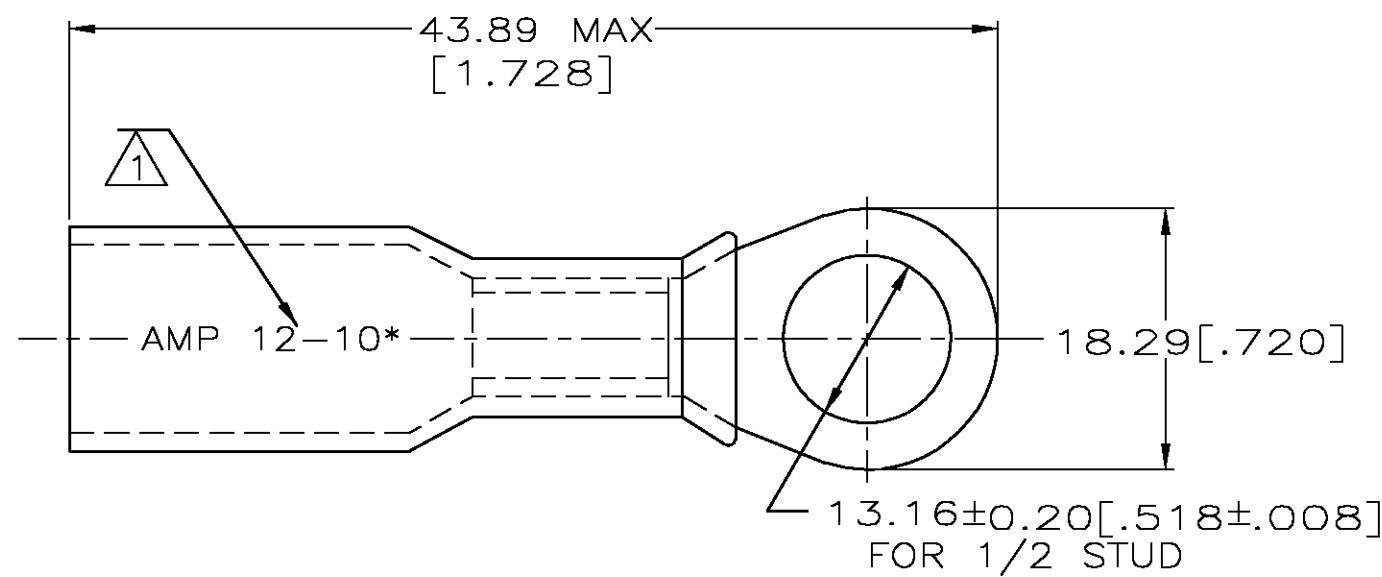


THIS DRAWING IS UNPUBLISHED. RELEASED FOR PUBLICATION .19
 © COPYRIGHT 19 BY AMP INCORPORATED. ALL INTERNATIONAL RIGHTS RESERVED.

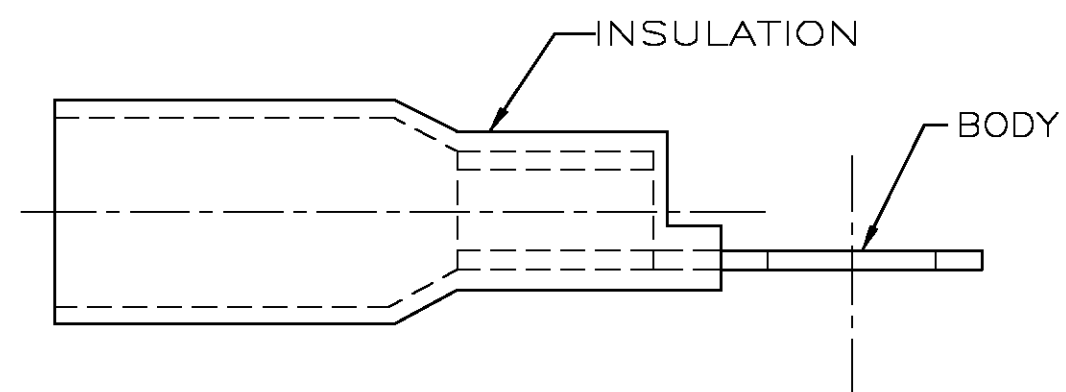
LOC	DIST	P	F	REVISIONS				
G	14			ZONE	LTR	DESCRIPTION	DATE	APPD
					B	REV PER 0G3A-0001-03	07JAN03	JR TM

AMP WIRE RANGE	Listed	Certified
12-10 AWG STRANDED	12-10 AWG STRANDED	12-10 AWG STRANDED

METRIC
 DIMENSIONS LISTED IN mm [INCHES]



- NOTES:
- 1 STAMP AMP 12-10* APPROX AS SHOWN
 2. WIRE INSULATION DIA 6.10mm [.240] MAX
 3. TONGUE MATERIAL THK 1.02±0.05mm [.040±.002]



AMP INCORPORATED CUSTOMER SERVICE SYSTEMS		MAX RECOMMENDED OPERATING TEMPERATURE: 125° C MAX	DO NOT SCALE PRINT. UNLESS SPECIFIED DIMENSIONS IN mm [INCHES] TOLERANCES ON: 2 PLC DEC ± 0.20[.008] 3 PLC DEC ± - ANGLES ± -	DR 6/93 S S GOULDEN	25	LOOSE PIECE	8-55861-3
FOR ADDITIONAL PRODUCT INFORMATION OR COPIES OF DRAWINGS AND TECHNICAL DOCUMENTS	PRODUCT INFORMATION CENTER 1-800-522-6752	VOLTAGE RATING: 600V MAX (BUILDING WIRING) 1000V MAX (FIXTURES & SIGNS)	MATERIAL BODY: ETP COPPER INSULATION: POLYOLEFIN COLOR: YELLOW	CHK 6/93 R HERSEY	500	LOOSE PIECE	55861-1
FOR APPLICATION TOOLING INFORMATION	TOOLING ASSISTANCE CENTER 1-800-722-1111	CIRCULAR MIL AREA: 2.62-6.64mm ² [5180-13100] STRANDED	FINISH EDP TIN PLATED	APPD 6/93 B BARE	QTY	PACKAGE TYPE	PART NO
FOR ORDER ENTRY	1-800-526-5142	THIS DRAWING IS A CONTROLLED DOCUMENT FOR AMP INCORPORATED. IT IS SUBJECT TO CHANGE AND THE CONTROLLING ENGINEERING ORGANIZATION SHOULD BE CONTACTED FOR THE LATEST REVISION.		APPD 6/93 M ELLIS			
				PRODUCT SPEC			
				APPLICATION SPEC			
				WEIGHT			
					SCALE	NTS	SHEET 1 OF 1
					SIZE	B	CAGE CODE 00779
							DRAWING NO C-55861